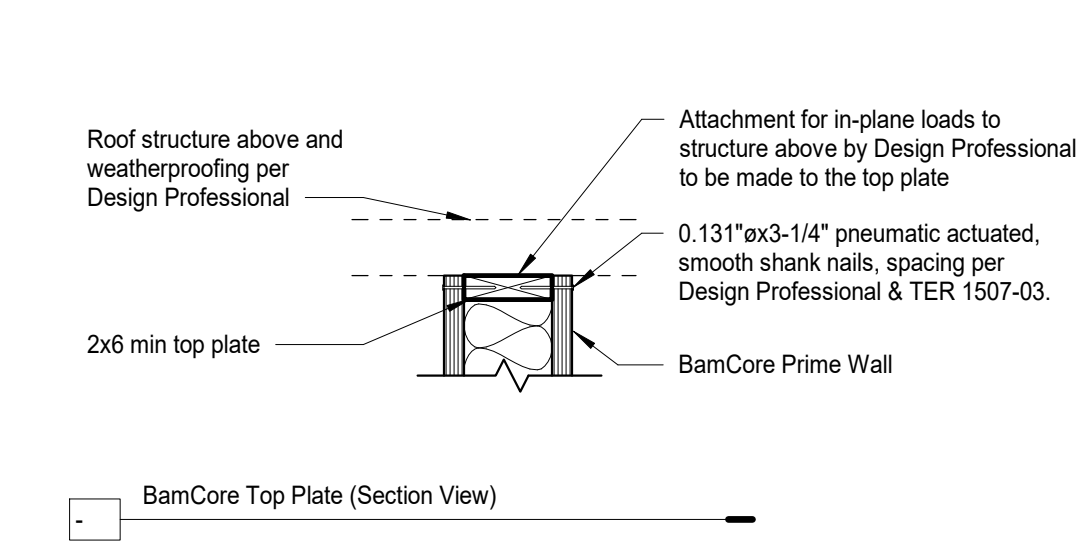


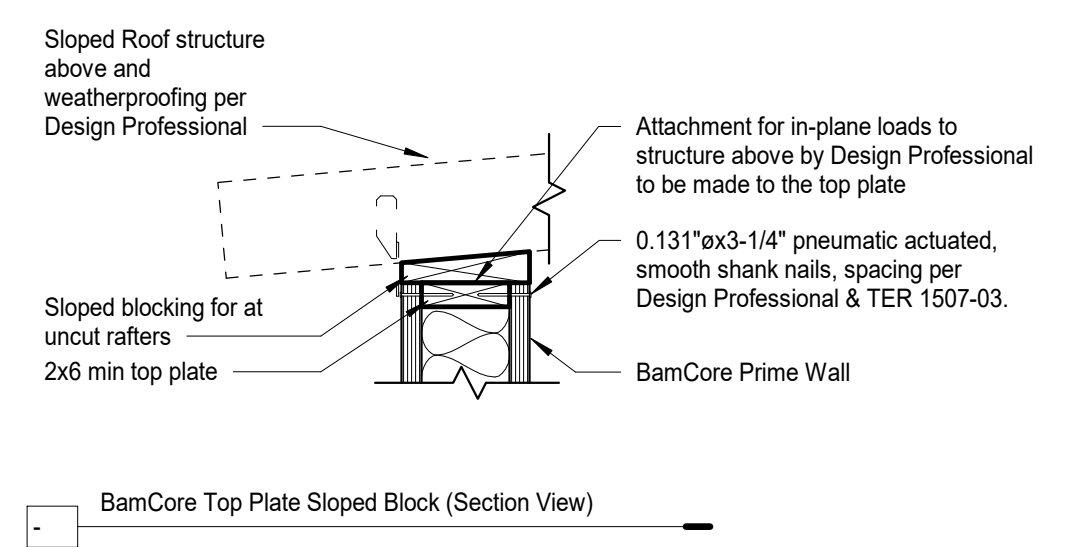


BAMCORE

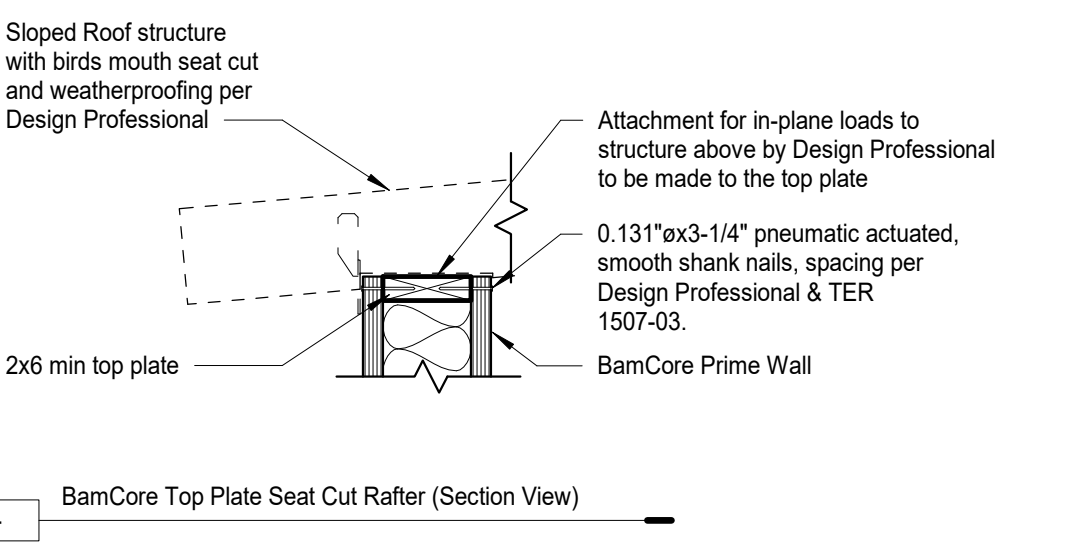
www.bamcore.com



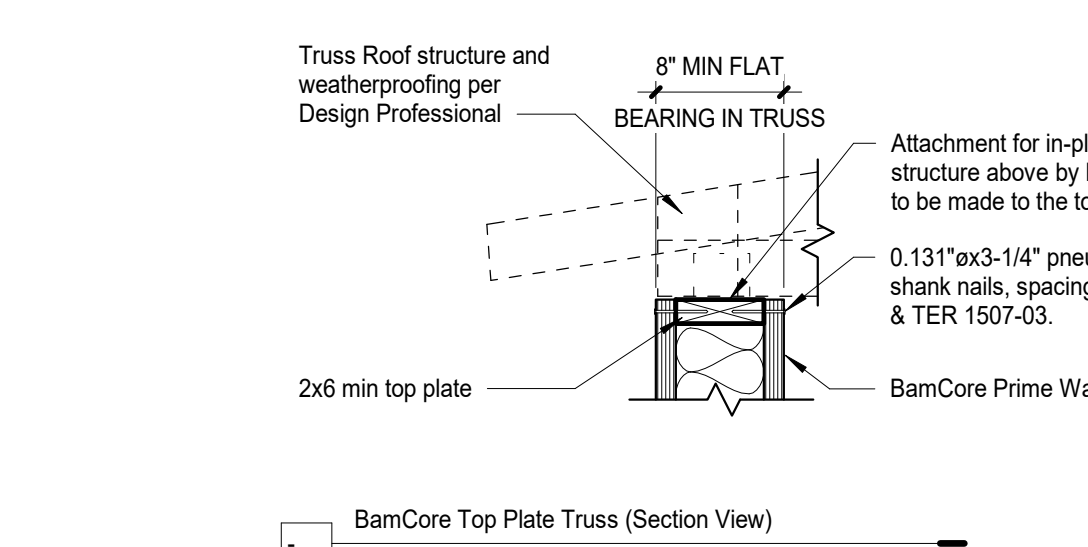
1 Top Plate
1" = 1'-0"



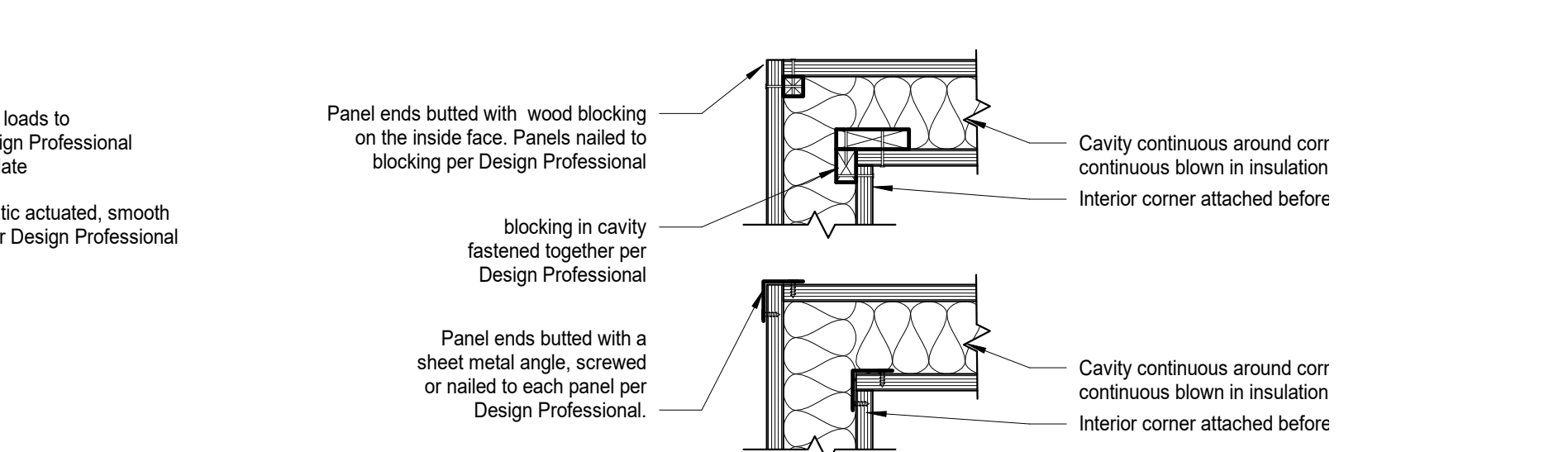
2 Top Plate Alternate
1" = 1'-0"



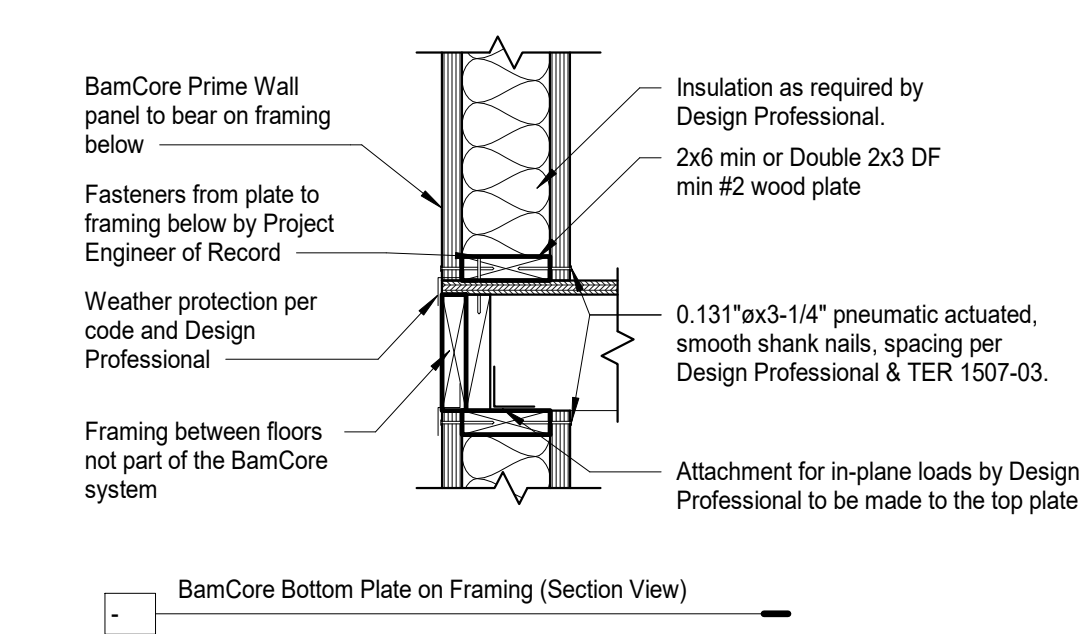
3 Top Plate Alternate 2
1" = 1'-0"



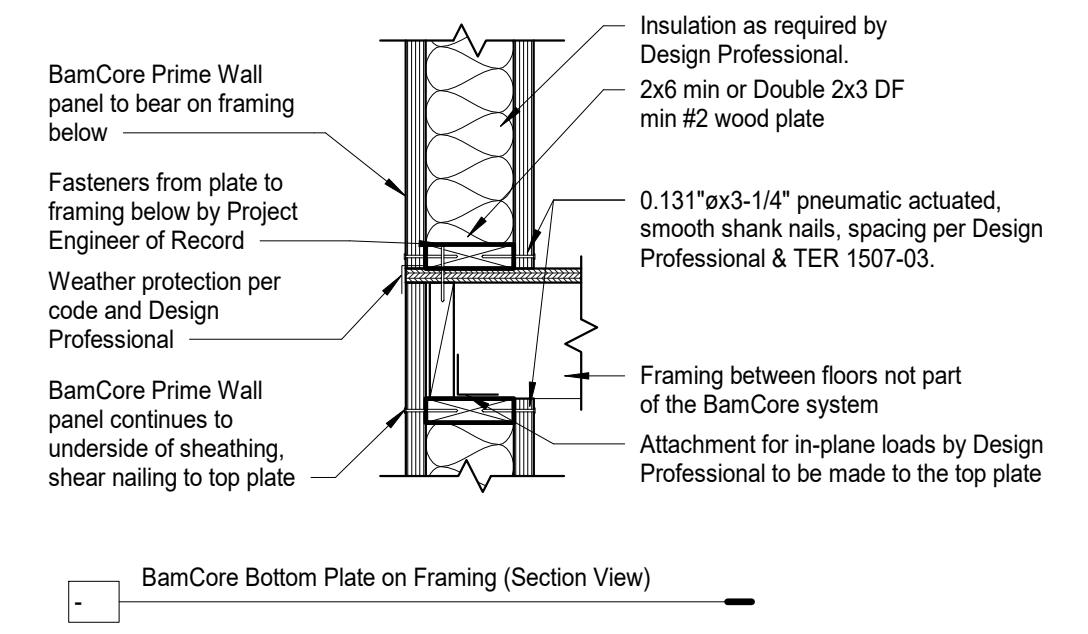
4 Top Plate Alternate 3
1" = 1'-0"



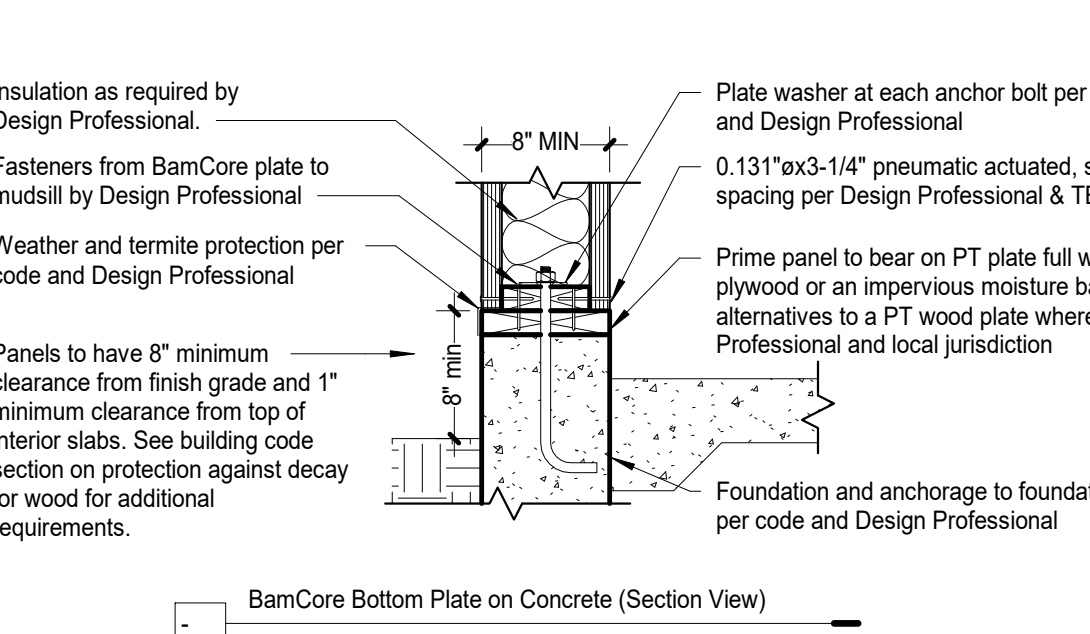
10 Corner Options
1" = 1'-0"



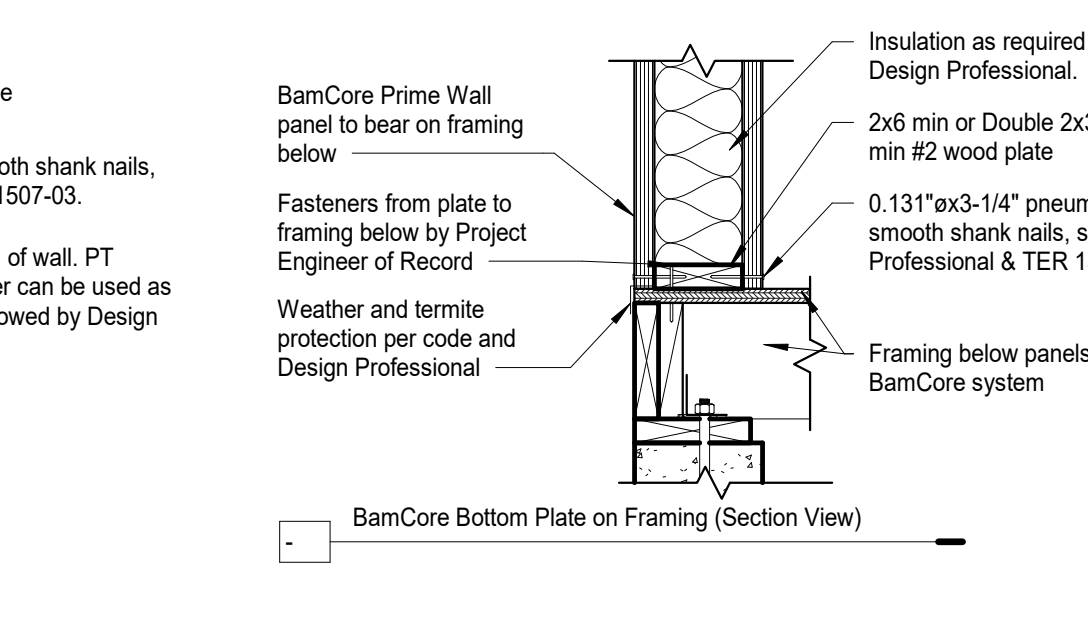
6 BamCore Framing Between Floors
1" = 1'-0"



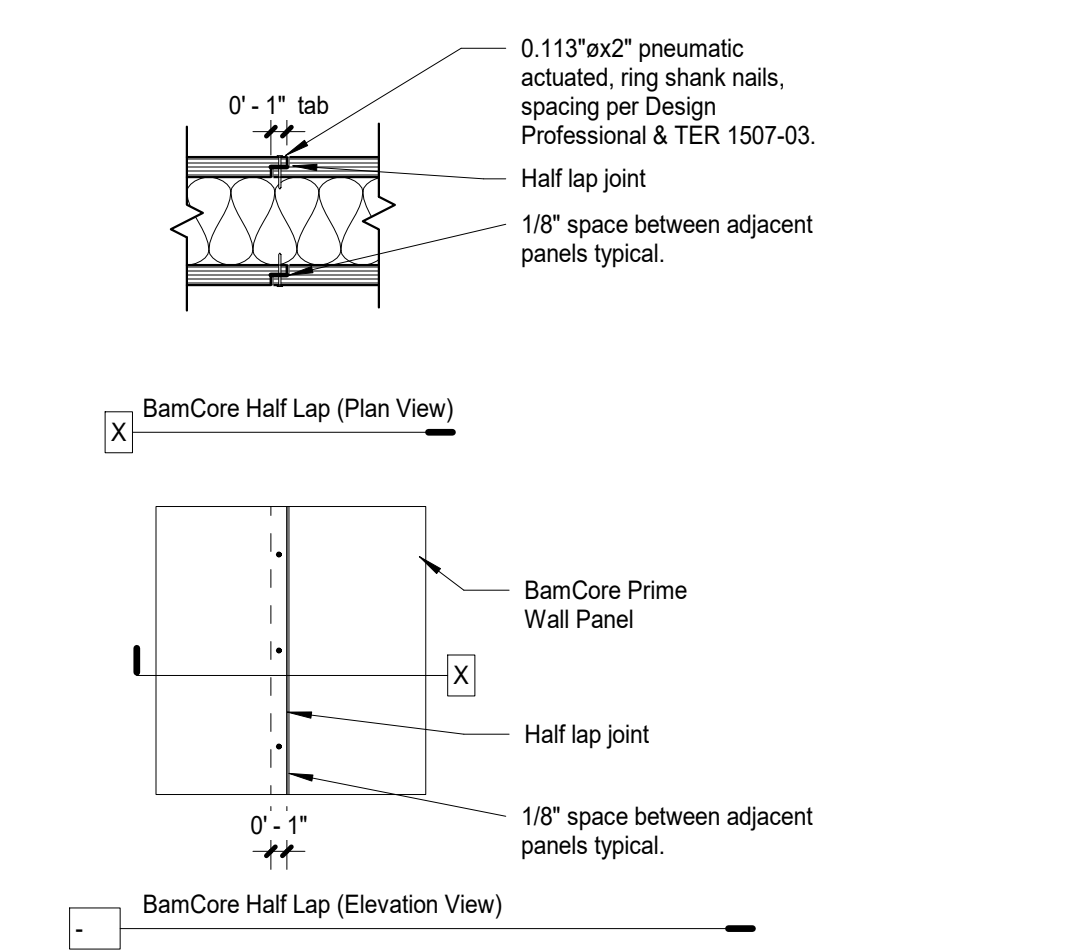
7 BamCore Framing Between Floors Alternate
1" = 1'-0"



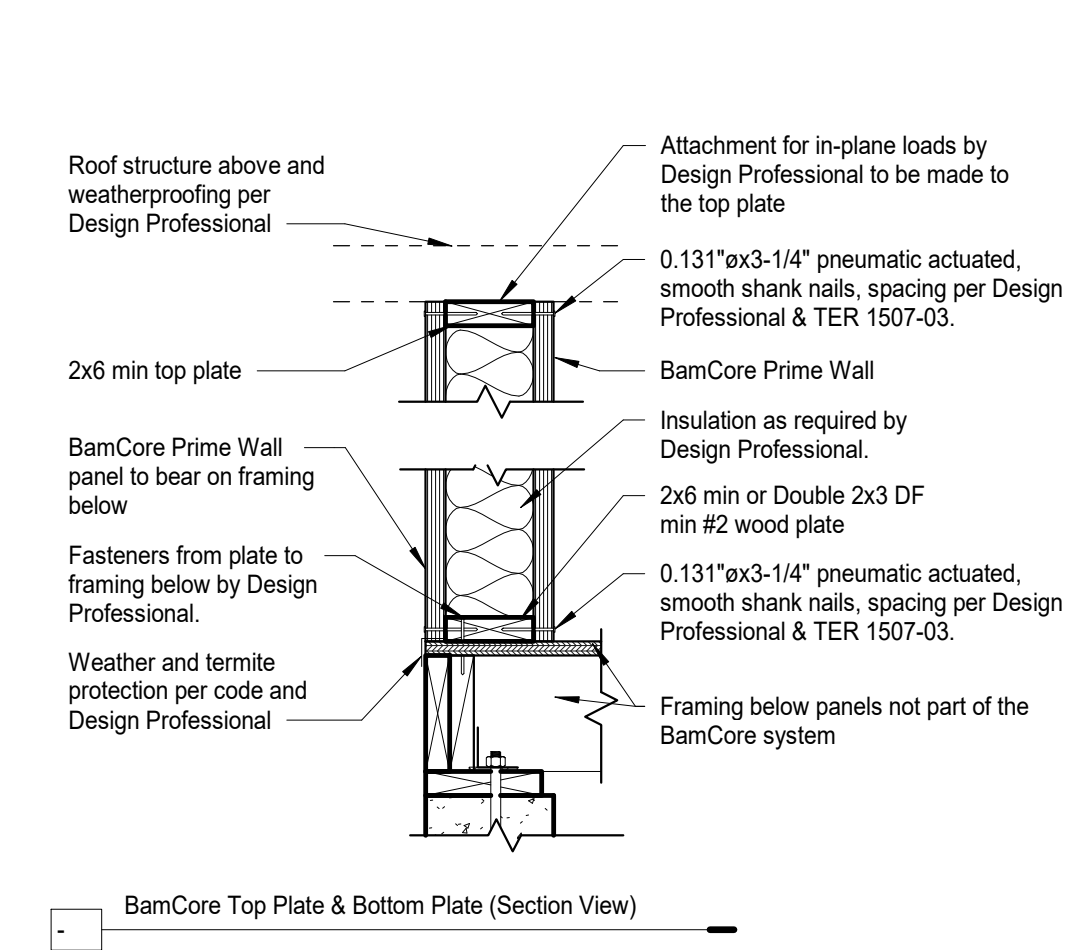
8 Bottom Plate Concrete
1" = 1'-0"



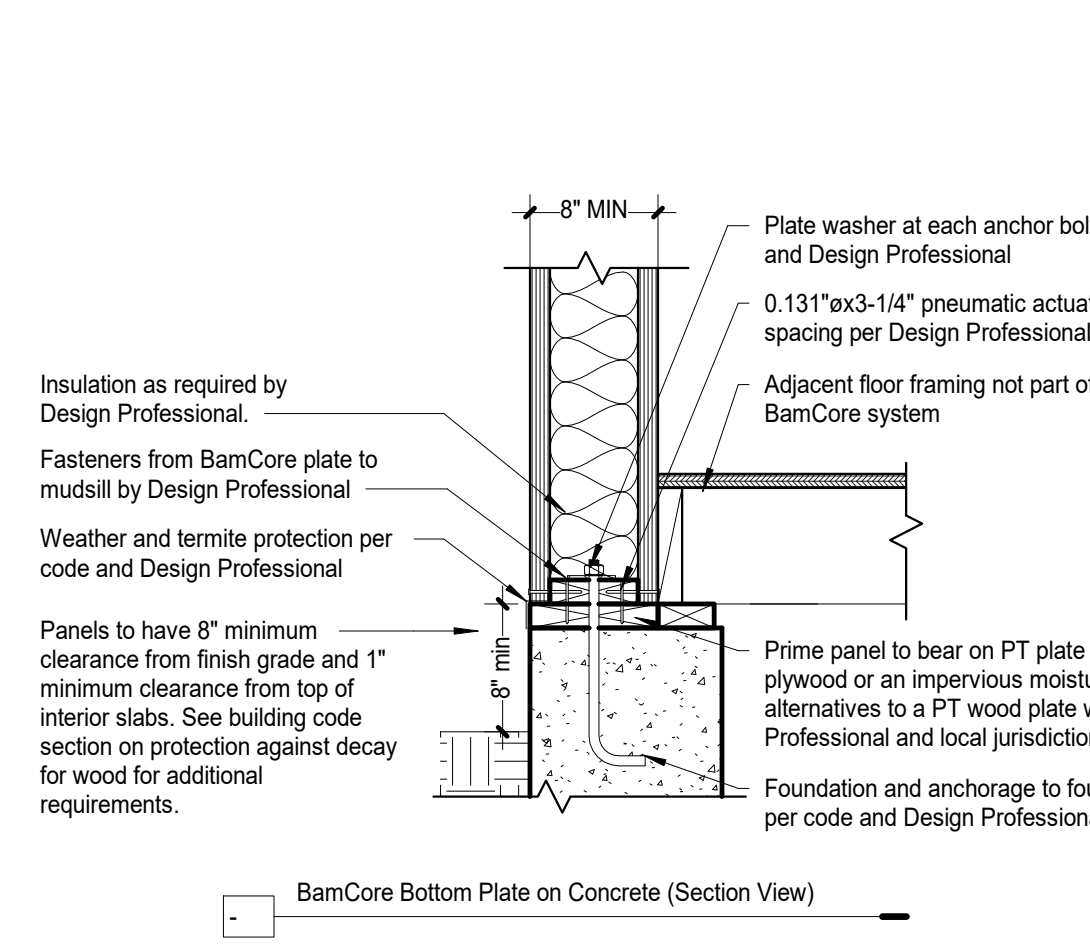
9 Bottom Plate on Framing
1" = 1'-0"



11 Panel to Panel Half Lap
1" = 1'-0"



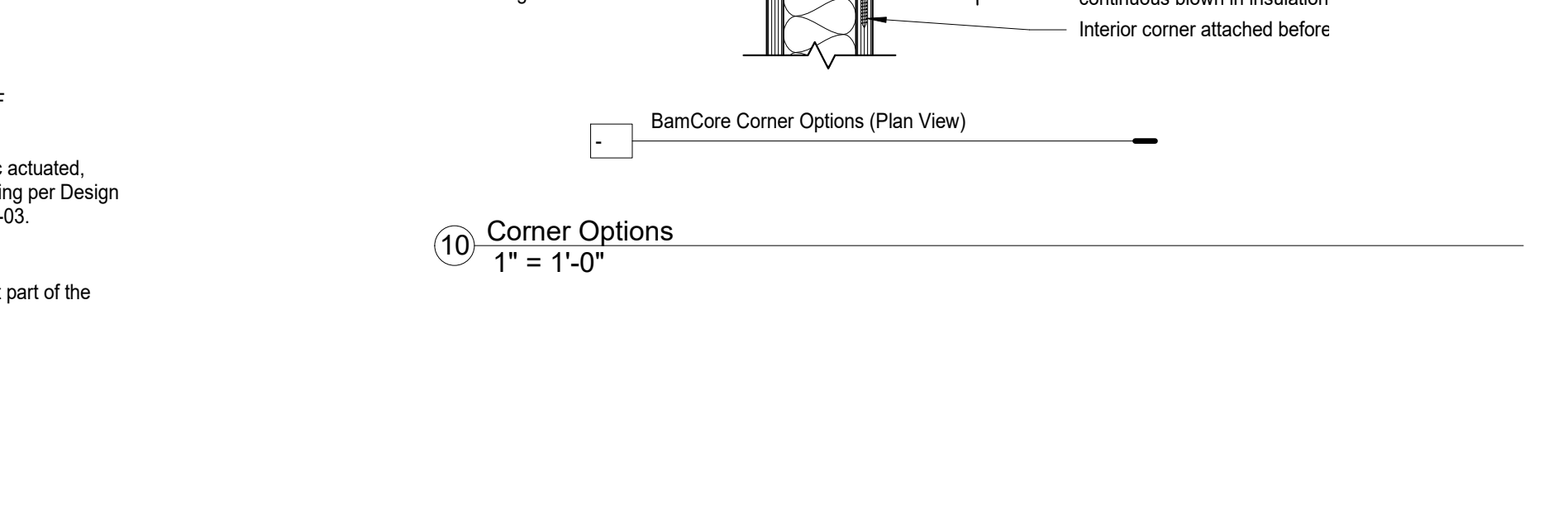
12 Top and Bottom Plate
1" = 1'-0"



13 Bottom Plate Concrete Alternate
1" = 1'-0"



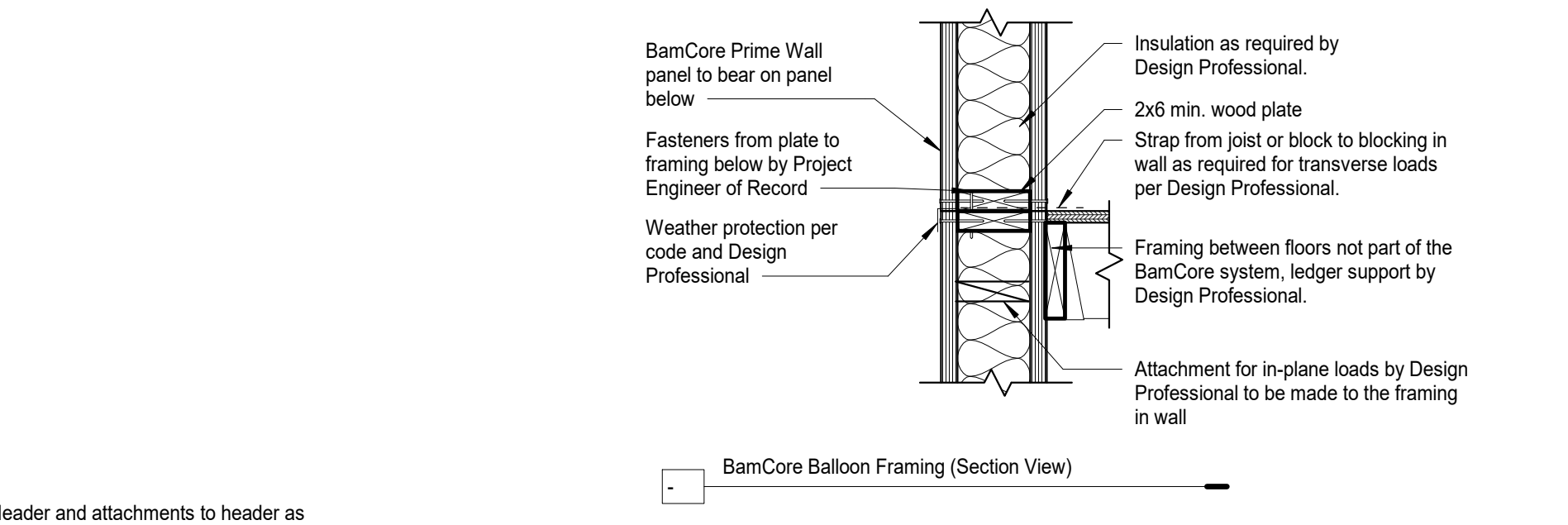
14 BamCore On-Edge Headers
1" = 1'-0"



15 Curved Window Opening
1" = 1'-0"

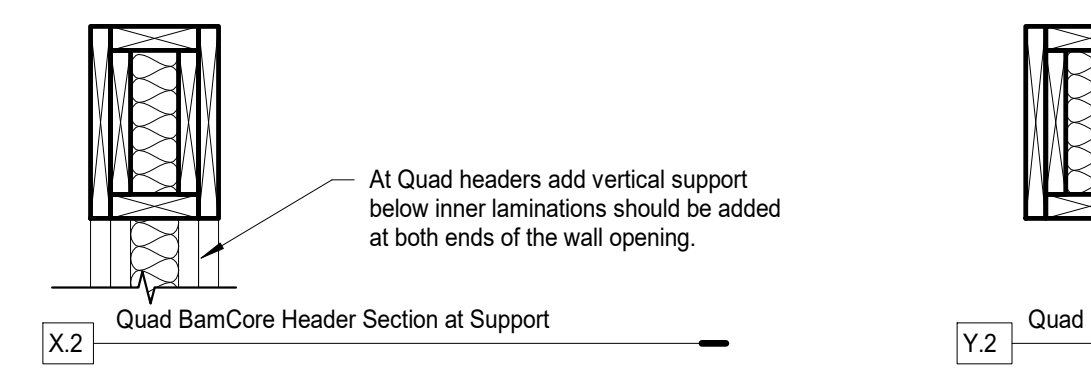


16 Window Opening BamCore Box-Beam Header
1" = 1'-0"

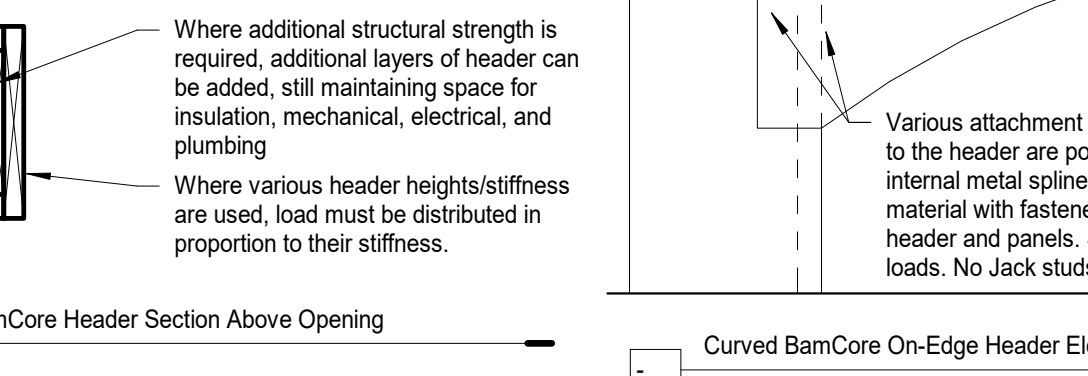


17 Window Opening with Conventional Header by Design Professional
1" = 1'-0"

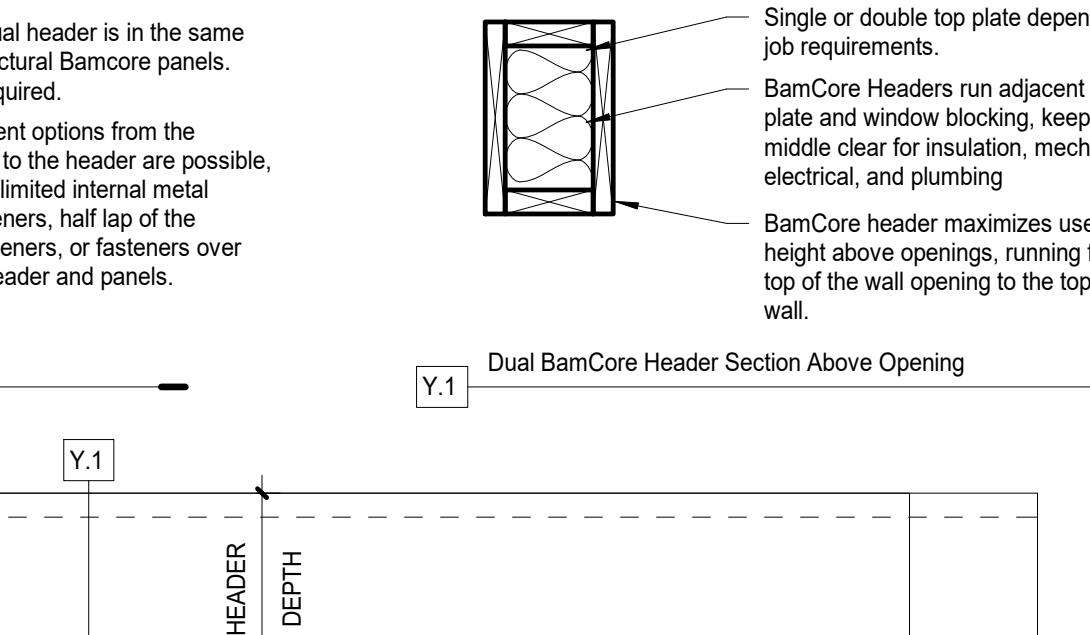
HEADER SPAN TABLE			
Max Opening Width (ft)	Min Header Depth (in)	Min Bearing Length (in)	King Stud Requirement



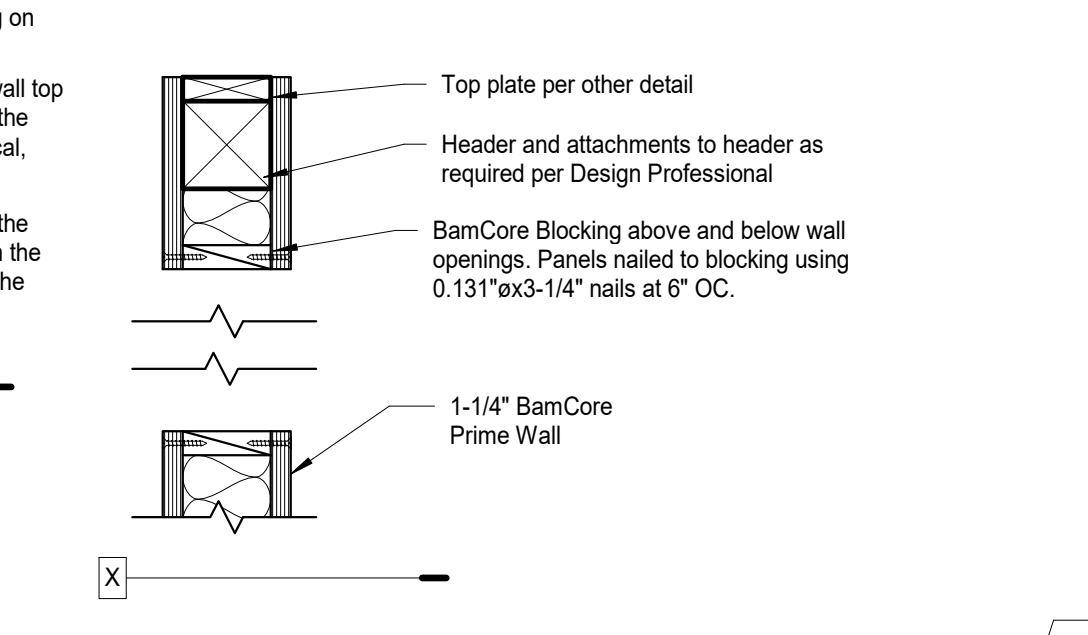
X1 Dual BamCore Header Section at Support



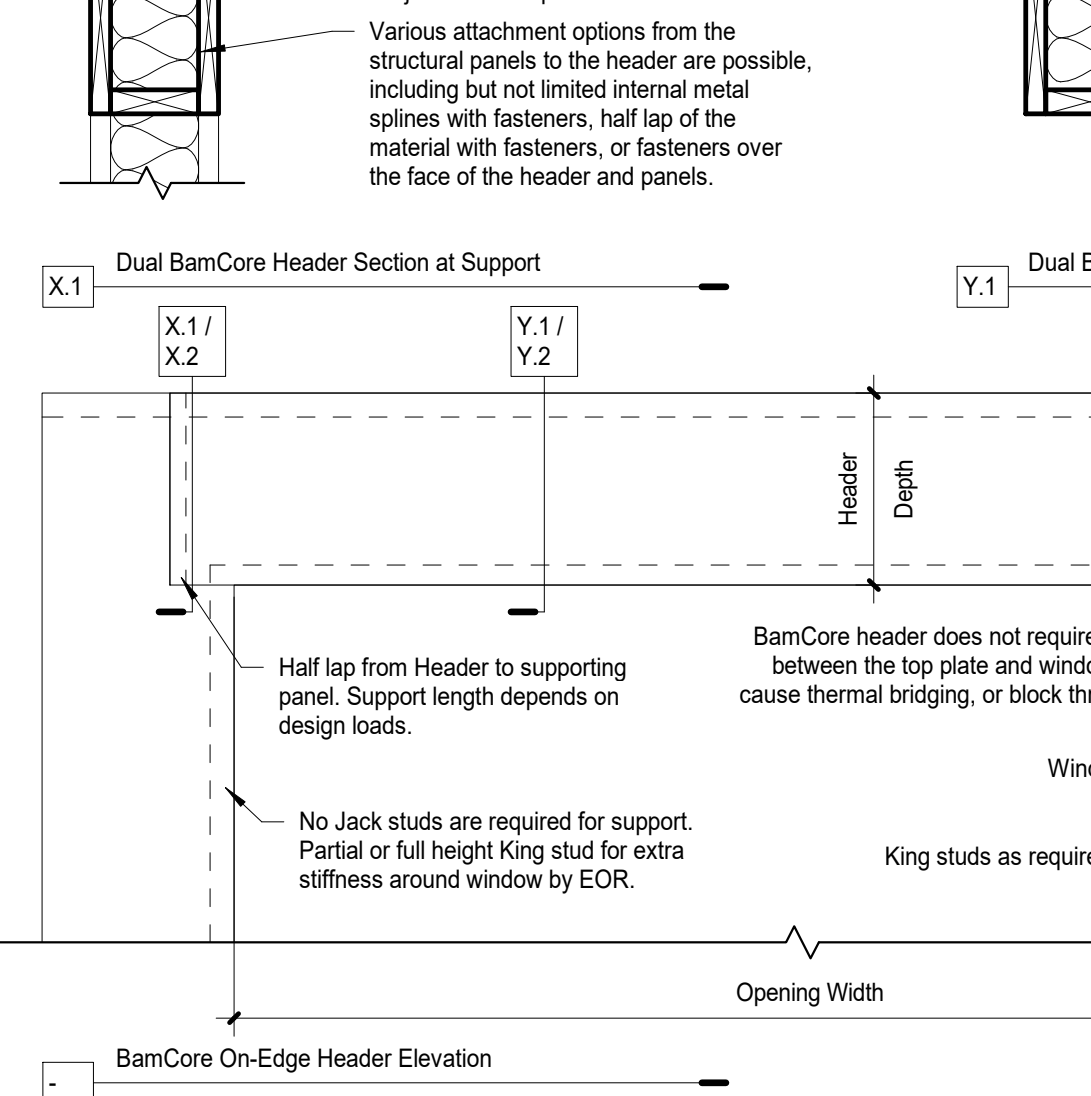
Y1 Dual BamCore Header Section Above Opening



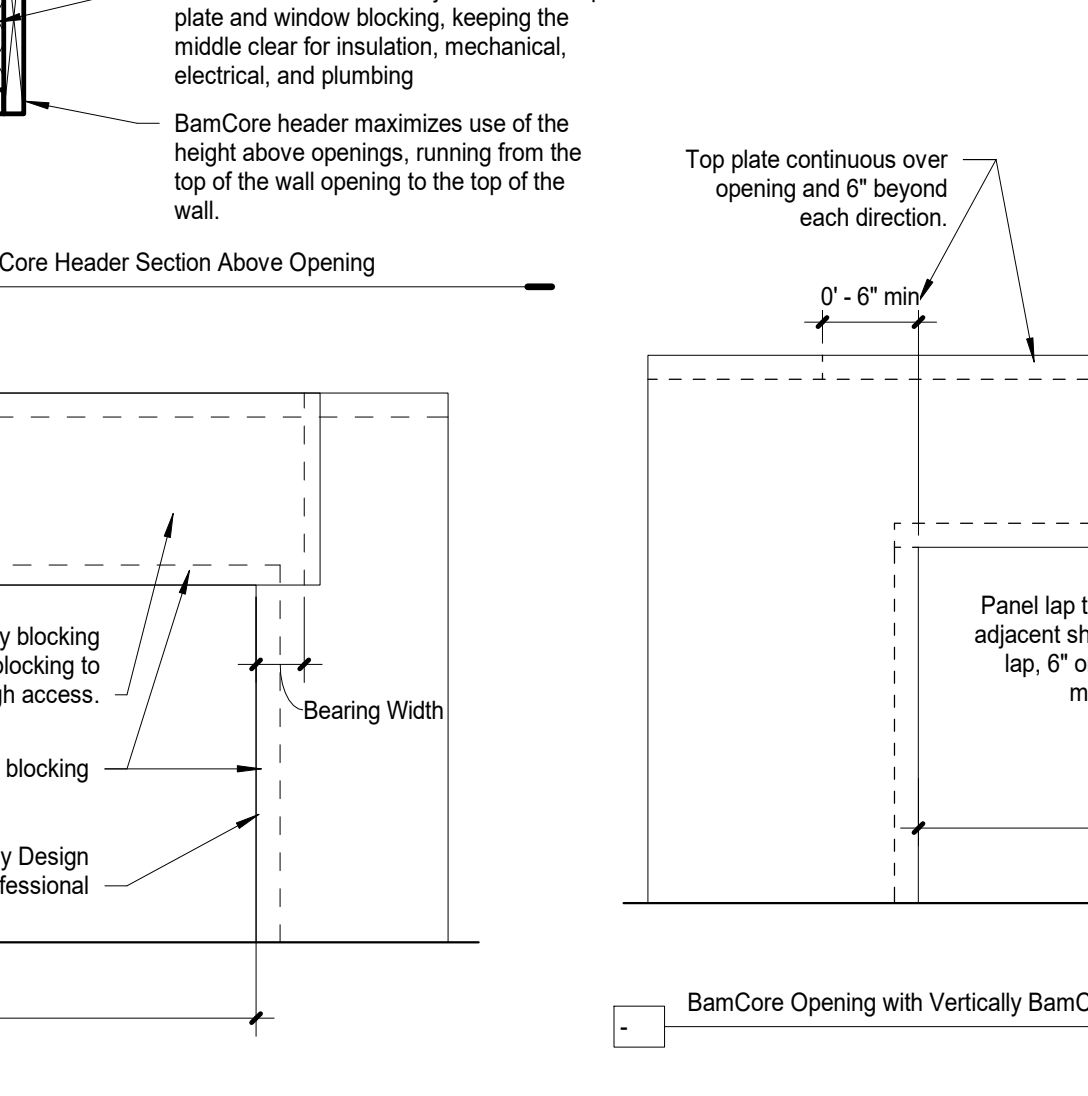
X2 Quad BamCore Header Section at Support



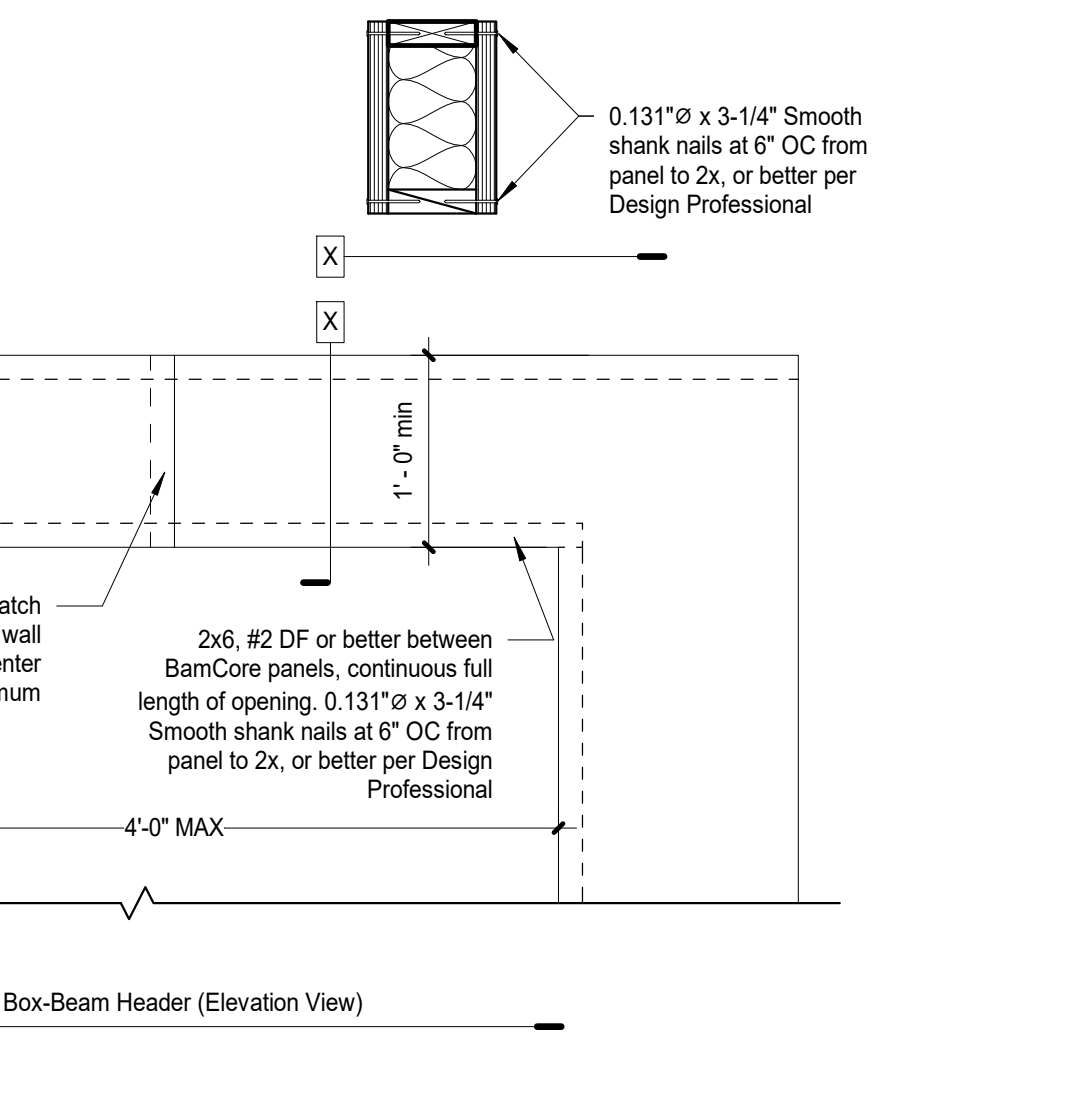
Y2 Quad BamCore Header Section Above Opening



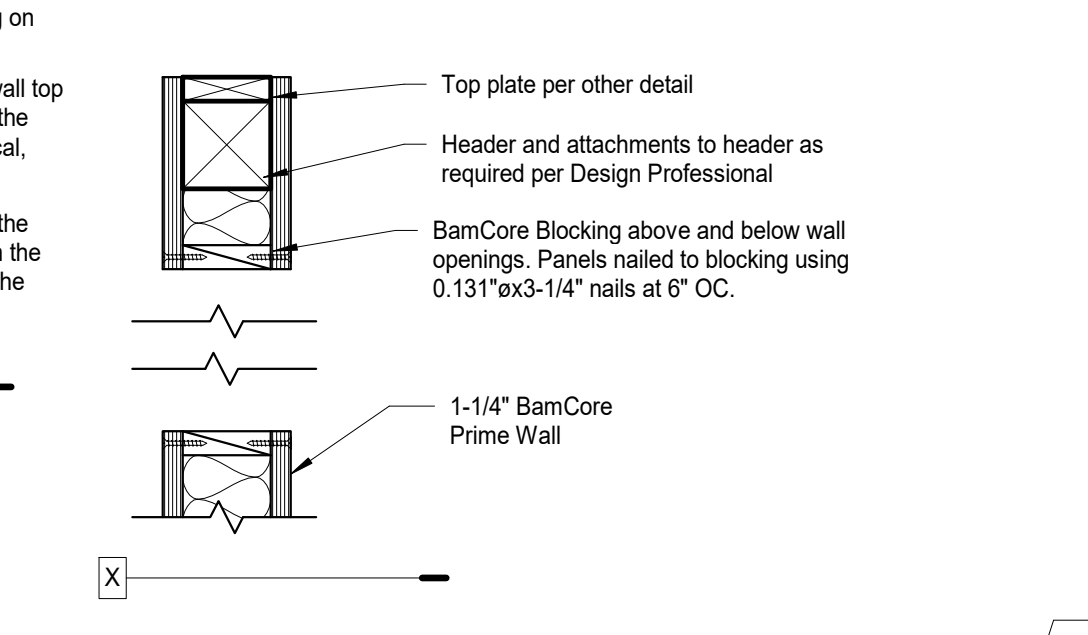
15 Curved BamCore On-Edge Header Elevation
1" = 1'-0"



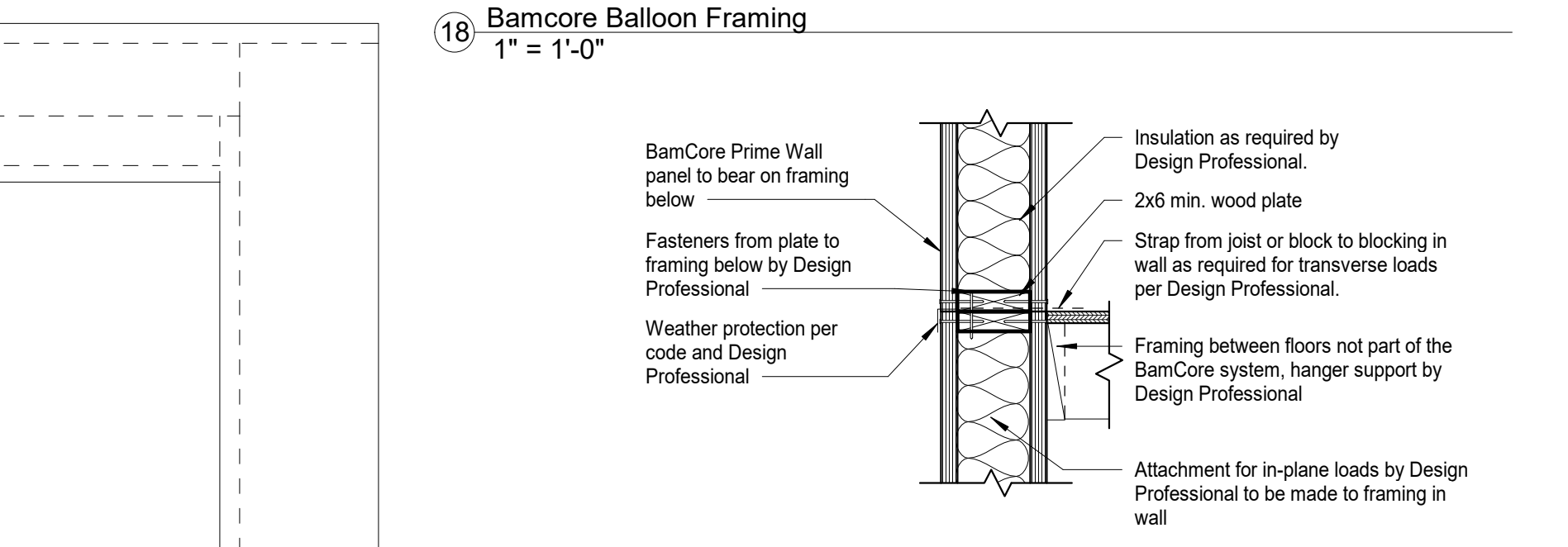
16 BamCore Opening with Vetically BamCore Box-Beam Header (Elevation View)
1" = 1'-0"



17 BamCore Window Opening with Conventional Header (Elevation View)
1" = 1'-0"



18 BamCore Balloon Framing
1" = 1'-0"



19 BamCore Balloon Framing Alternate (Section View)
1" = 1'-0"



20 T&B plate - Interior
1" = 1'-0"



21 Interior BamCore Top Plate & Bottom Plate (Section View)
1" = 1'-0"

Typical BamCore Details	
Project Number	Project Number
Date	5/14/21
Drawn By	JB
Checked By	NA
Scale	1" = 1'-0"